



The **NETRON EP1** is a compact Ethernet to DMX gateway with a single RDM compatible port designed for single gang wall mount, truss mount and standalone installations.

It is configurable via the integrated OLED display and encoder, or the internal web remote. EP1 is powered over Ethernet or via the convenient USB-C connection.

KEY FEATURES

- RDM, ArtNet and sACN support
- Factory and user presets for plug and play setup
- POE or USB-C powered
- 1.3" OLED Display with rotary knob
- Remote configuration via internal webpage
- Powder-coated compact metal housing
- In-wall, Truss and Standalone mounting
- Unlocks ONYX NOVA 4-Universe License

SPECIFICATIONS

Mounting

- Standalone (backbox included)
- Truss-mount (M10 + M12 mounting hole)
- In-Wall 1-Gang (US)

Front

- (1) 5pin DMX/RDM optically isolated port
- Bidirectional for DMX In and Output

Side

- (2) Locking RJ45 Gigabit Ethernet (1xPOE)
- USB-C power option (5V, 2A)

Physical - Standalone

- Length: 3.5 in. (90mm)
- Width: 2.2 in. (55mm)
- Height: 4.5 in. (114mm)
- Weight: 1.54 lbs. (0.7 kg)

Physical - 1-Gang

- Length: 3.96 in. (100.5mm)
- Width: 2.2 in. (54.8mm)
- Height: 4.63 in. (117.6mm)
- Weight: 1.3 lbs. (0.6kg)

Electrical

- USB-C 5V
- POE 802.3af
- Power Consumption: 2.8W

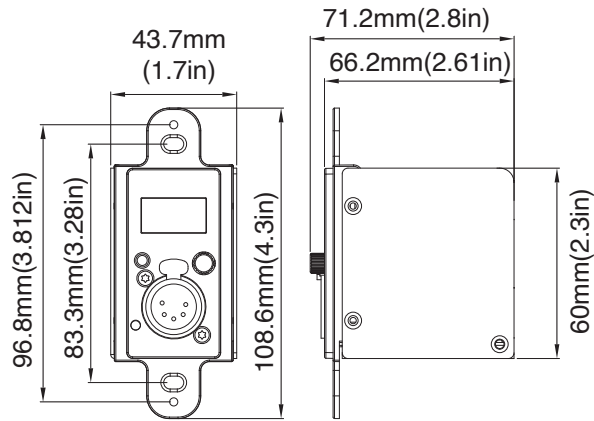
Approvals / Ratings

- CE / CETLUS / UKCA / IP20

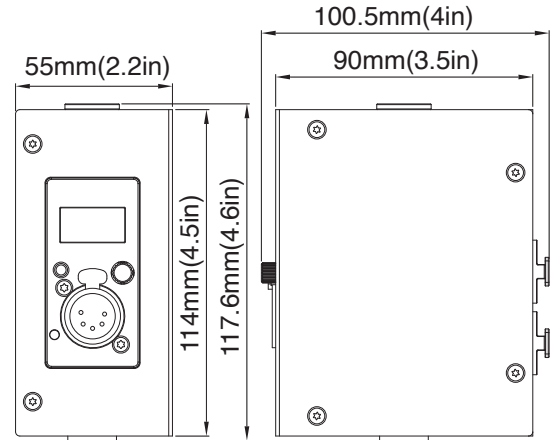


DIMENSIONS

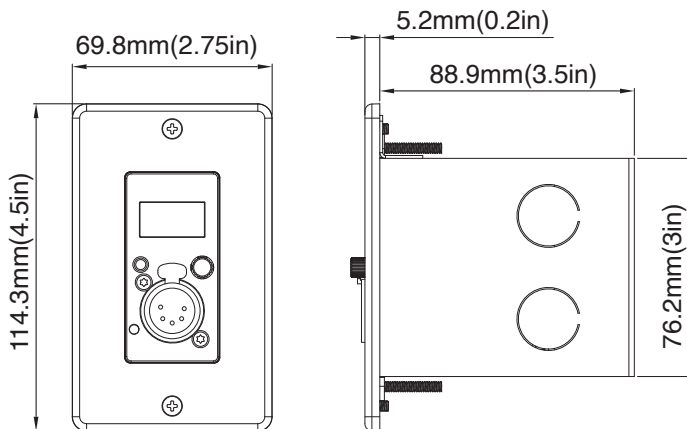
1-GANG



STANDALONE



OUTLET STYLE MOUNT



Included Items

- 1.5m Obsidian USB-C cable
- Standalone Truss Box Enclosure (M10 or M12 bolt hole)
- Neutron Decora 1-Gang wall plate

SKU

- US #: NRE125
- EU #: 1330000081